

Flanged Ball Valves

3-WAY Flanged Ball Valve with M.PAD L/T Port 150LBS

Item No.: CW BV-3WFAGL/T

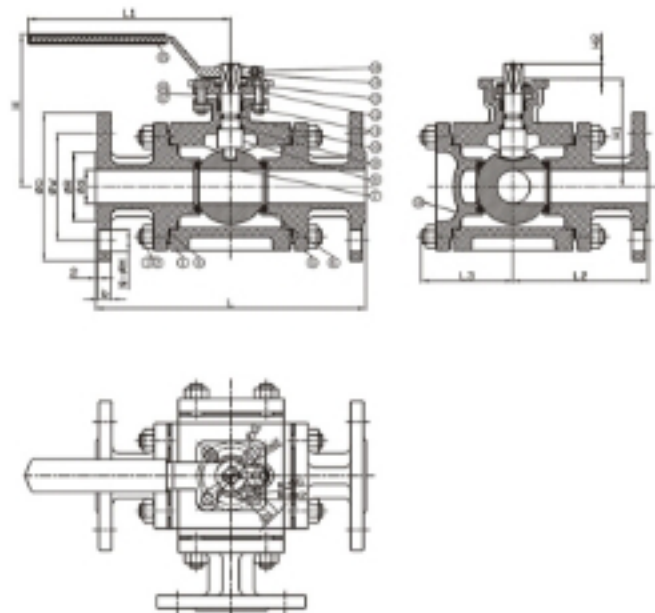
Features

- | | |
|------------------------------------------|-----------------------------|
| 1. Pressure Rating: 150LBS | 1. 压力等级: 150LBS |
| 2. Temperature Range: -20°C ~ 180°C | 2. 工作温度: -20°C ~ 180°C |
| 3. Full Port | 3. 全口径 |
| 4. Investment Casting | 4. 熔模铸造 |
| 5. Adjustable Gland | 5. 可调节格兰 |
| 6. ISO5211 Mounting Pad | 6. ISO5211 启动平台 |
| 7. Material Standard: ASTM A351 CF8/CF8M | 7. 材质标准: ASTM A351 CF8/CF8M |
| 8. Inspection Testing: API598 | 8. 检测标准: API598 |
| 9. Design Standard: ASME B16.34 | 9. 设计标准: ASME B16.34 |
| 10. Flange Standard: ASME B16.5 | 10. 法兰标准: ASME B16.5 |



Flanged Ball Valves

Item	名称	Description	Q'ty	Material
1	螺栓	Bolt	16	SUS304
2	螺母	Nut	16	SUS304
3	阀体	Body	1	CF8/CF8M
4	阀盖垫片	Gasket	4	PTFE
5	阀盖	Cap	3	CF8/CF8M
6	球垫	Ball Seat	4	PTFE/RPTFE
7	球体	Ball	1	CF8/CF8M
8	中轴	Stem	1	SUS304/SUS316
9	止推垫片	Thrust Washer	1	PTFE
10	O型圈	O-Ring	1	VITON
11	填料	Gland Packing	1	PTFE
12	格兰	Gland	1	CF8
13	限位片	Positioning Washer	1	SUS304
14	把手	Handle	1	CF8
15	把手套	Handle Cover	1	PVC
16	格兰螺栓	Gland Bolt	2	SUS304
17	格兰螺母	Gland Nut	2	SUS304
18	把手螺钉	Handle Bolt	1	SUS304
19	平盖	Flat Cap	1	CF8/CF8M



Flow Pattern

PORT TYPE	1	2	3	4	Size	d	O	W	R	b	N-ΦM	L	H	H1	H2	L1	L2	L3	S	W1	W2	N-ΦK1	N-ΦK2
L					1/2"	15	90	60.3	35	9	4-Φ16	160	98	67	9	123	80	52.5	9	36	42	4-Φ6	4-Φ6
T					3/4"	20	100	69.9	43	10	4-Φ16	170	103	72	9	123	85	55	9	36	42	4-Φ6	4-Φ6
T					1"	25	110	79.4	51	10	4-Φ16	200	113	80	11	153	100	68	11	42	50	4-Φ6	4-Φ7

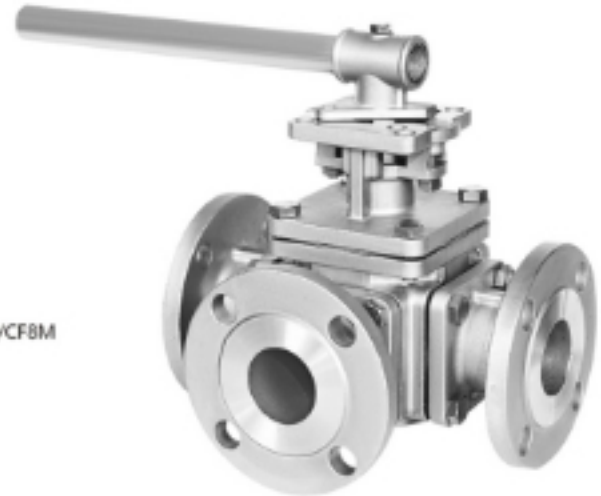
Flanged Ball Valves

3-WAY Flanged Ball Valve with M.PAD L/T Port 150LBS

Item No.:CW BV-3WFAGL/T

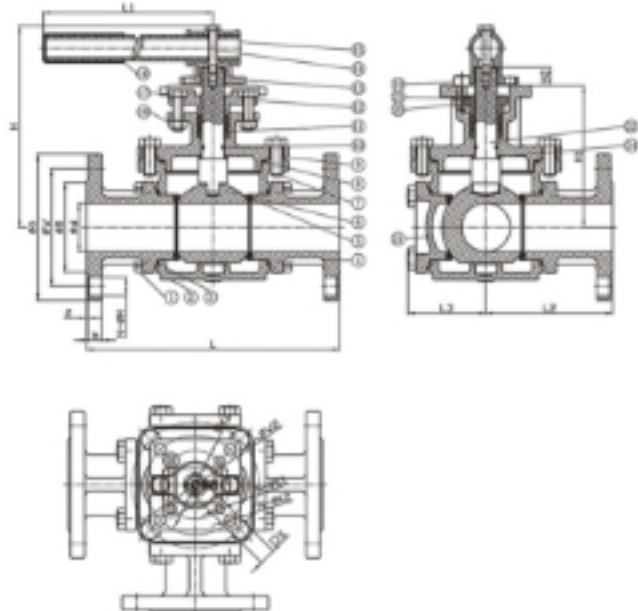
Features

- | | |
|-----------------------------------------|----------------------------|
| 1. Pressure Rating: 150LBS | 1. 压力等级: 150LBS |
| 2. Temperature Range: -20°C ~ 180°C | 2. 工作温度: -20°C ~ 180°C |
| 3. Full Port | 3. 全口径 |
| 4. Investment Casting | 4. 熔模铸造 |
| 5. Adjustable Gland | 5. 可调节格兰 |
| 6. ISO5211 Mounting Pad | 6. ISO5211 启动平台 |
| 7. Material Standard: ASTM A351 F8/CF8M | 7. 材质标准: ASTM A351 F8/CF8M |
| 8. Inspection Testing: API598 | 8. 检测标准: API598 |
| 9. Design Standard: ASME B16.34 | 9. 设计标准: ASME B16.34 |
| 10. Flange Standard: ASME B16.5 | 10. 法兰标准: ASME B16.5 |



Flanged Ball Valves

Item	名称	Description	Q'ty	Material
1	螺栓	Bolt	16	SUS304
2	阀体	Body	1	CF8/CF8M
3	阀盖垫片	Gasket	4	PTFE
4	阀盖	Cap	3	CF8/CF8M
5	球垫	Ball Seat	4	PTFE/RPTFE
6	球体	Ball	1	CF8/CF8M
7	上盖螺栓	Bolt	6-8	SUS304
8	上盖垫片	Gasket	1	PTFE
9	上盖	Top Cap	1	CF8/CF8M
10	O型圈	O-Ring	1	VITON
11	填料	Gland Packing	1	PTFE
12	格兰	Gland	1	CF8
13	把手座	Handle Seat	1	CF8
14	阀杆螺钉	Stem Bolt	1	SUS304
15	把手	Handle	1	GALVANIZED PIPE
16	把手套	Handle Cover	1	PVC
17	格兰螺栓	Gland Bolt	2	SUS304
18	格兰螺母	Gland Nut	2	SUS304
19	限位螺钉	Positioning Bolt	1	SUS304
20	限位螺母	Positioning Nut	1	SUS304
21	平盖	Flat Cap	1	CF8/CF8M
22	阀杆	Stem	1	SUS304/SUS316
23	平垫	Washer	1	SUS304
24	止推垫片	Thrust Washer	1	PTFE



Flow Pattern

PORT TYPE	1	2	3	4
L				
T				

Size	d	O	W	R	b	N-ΦM	L	H	H1	H2	L1	L2	L3	S	W1	W2	N-ΦK1	N-ΦK2
1-1/2"	40	125	98.4	73	13.2	4-Φ16	240	202.5	141	19	300	120	76.5	17	70	102	4-Φ10	4-Φ12
2"	50	150	120.7	92	14.8	4-Φ19	260	206.5	145	19	300	130	80	17	70	102	4-Φ10	4-Φ12

Flanged Ball Valves

3-WAY Flanged Ball Valve with M.PAD L/T Port 150LBS

Item No.: CW BV-3WFAGL/T

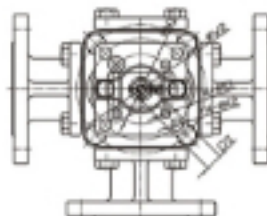
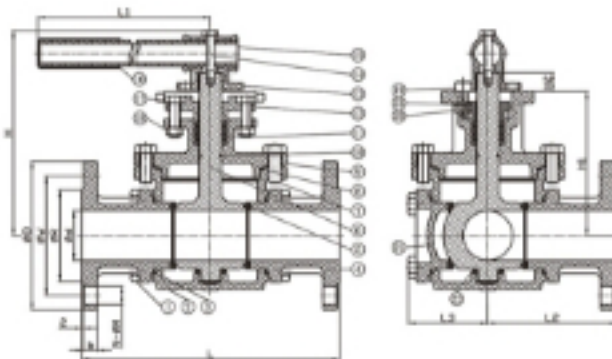
Flanged Ball Valves

Features

- | | |
|------------------------------------------|-----------------------------|
| 1. Pressure Rating: 150LBS | 1. 压力等级: 150LBS |
| 2. Temperature Range: -20°C ~ 180°C | 2. 工作温度: -20°C ~ 180°C |
| 3. Full Port | 3. 全通径 |
| 4. Investment Casting | 4. 熔模铸造 |
| 5. Adjustable Gland | 5. 可调节格兰 |
| 6. ISO5211 Mounting Pad | 6. ISO5211 启动平台 |
| 7. Material Standard: ASTM A351 CF8/CF8M | 7. 材质标准: ASTM A351 CF8/CF8M |
| 8. Inspection Testing: API598 | 8. 检测标准: API598 |
| 9. Design Standard: ASME B16.34 | 9. 设计标准: ASME B16.34 |
| 10. Flange Standard: ASME B16.5 | 10. 法兰标准: ASME B16.5 |



Item	名称	Description	Q'ty	Material
1	螺栓	Bolt	16	SUS304
2	阀体	Body	1	CF8/CF8M
3	阀盖垫片	Gasket	4	PTFE
4	阀盖	Cap	3	CF8/CF8M
5	球垫	Ball Seat	4	PTFE/RPTFE
6	球体	Ball	1	CF8/CF8M
7	上盖螺栓	Bolt	6-8	SUS304
8	上盖垫片	Gasket	1	PTFE
9	上盖	Top Cap	1	CF8/CF8M
10	O型圈	O-Ring	1	VITON
11	填料	Gland Packing	1	PTFE
12	格兰	Gland	1	CF8
13	把手座	Handle Seat	1	CF8
14	阀杆螺钉	Stem Bolt	1	SUS304
15	把手	Handle	1	GALVANIZED PIPE
16	把手套	Handle Cover	1	PVC
17	格兰螺栓	Gland Bolt	2	SUS304
18	格兰螺母	Gland Nut	2	SUS304
19	限位螺栓	Positioning Bolt	1	SUS304
20	限位螺母	Positioning Nut	1	SUS304
21	平盖	Flat Cap	1	CF8/CF8M
22	球衬套	Ball Gasket	1	PTFE
23	平垫	Washer	1	SUS304



Flow Pattern

PORT TYPE	1	2	3	4	Size	d	O	W	R	b	N-ΦM	L	H	H1	H2	L1	L2	L3	S	W1	W2	N-ΦK1	N-ΦK2	
L					2-1/2"	65	180	139.7	105	16.4	4-Φ19	290	233.5	158	24	400	145	91.5	22	102			4-Φ12	
					3"	80	190	152.4	127	18	4-Φ19	320	243.5	168	24	400	160	107	22	102			4-Φ12	
T					4"	100	230	190.5	157	22.8	8-Φ19	370	264	189	24	400	185	128	22	102			4-Φ12	